

Digital Weight Indicator

MODEL 920i PROGRAMMABLE



Take the best features from digital weight indicators, PLCs and computers, add more robust electronics, a crisp graphical display and programmable soft keys inside an almost indestructible stainless steel enclosure and you have the extremely versatile Model 920i Digital Weight Indicator.

From simple tasks such as handling dual scale inputs to more complex programming to calculate centre-of-gravity; enabling unique operator log-ins and many other examples, Atrax engineers are able to programme the 920i to cater for the most demanding of weighing applications.

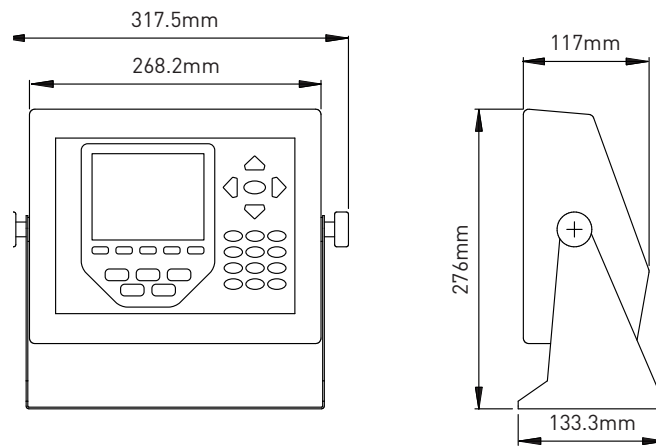
For more seamless communication with external devices a USB port is available, and optional TCP/IP Ethernet interface is also available.

FEATURES

- Large (116.8mm W x 86.4mm H) backlit LCD graphic display
- Selectable character sizes up to 30mm high
- Multiple configurable operator prompts
- Five soft keys with 10 user defined functions
- Panel mount available
- Multi range
- Alibi storage
- IP66 stainless steel enclosure
- Selectable A/D measurement rate up to 960/second
- Two slots for option cards (e.g. TCP/IP)
- Power for 16, 350 Ohm load cells

Trusted in over 130 countries

ATRAX
Weighing and Dimensioning Specialists



SPECIFICATIONS

Power:	Max 340mA @ 115VAC [26W], 240mA @ 230VAC [26W]
Excitation Voltage:	10 +/-0.5 VDC, 16 x 350 Ohm load cells per A/D card
Input Range:	-10 to +45 mV
System Linearity:	+/- 0.01% of full scale
A/D Sample Rate:	7.5 to 960 Hz, software selectable
Digital I/O:	Four I/O channels on CPU board, expansion board available
Circuit Protection:	RFI, EMI, ESD protection
Serial Ports:	Port 1: RS-232 Full Duplex Port 2: RS-232 with USB keyboard interface Port 3: RS-232 Full Duplex. 20 mA output Port 4: RS-232 Full Duplex, 2-wire RS-485, 20 mA output
Keyboard:	27-key membrane panel keyboard with tactile feel
Temperature range:	Legal for Trade -10 to 40°C Industrial -10 to 50°C
Rating:	IP66
Overall Dimensions:	317.5 W x 133.3 D x 276mm H

OPTION CARDS (maximum 2 in standard enclosure)

- Dual scale
- TCP/IP
- Additional Digital I/O 24-channel TTL output
- Analogue output; selectable 0-10V, 0-20mA
- Deep universal enclosure needed if more than two option cards are required

CONTACT US

ATRAX Group Limited
 Tel: +64 9 634 5337
 Fax: +64 9 634 5339
 info@atraxgroup.com
 www.atraxgroup.com

Trusted in over 130 countries



ATRAX
 Weighing and Dimensioning Specialists